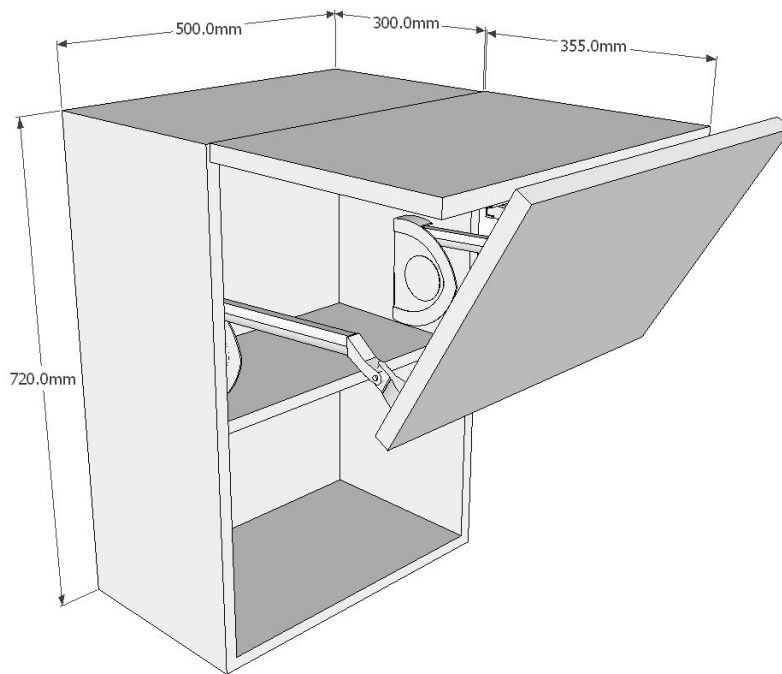


# 500mm Vertical Bi-Fold Wall Unit (Medium)



## Information

Vertical Bifold Wall unit supplied with two 355 x 496mm doors in your chosen style and colour. Hinges, Bifold Lift Mechanism, Soft Close Hinges and Wall hanging brackets included.

## Cabinet Specification

- 18mm thick colour matched cabinet (where possible).
- 9mm Back Panel.
- 18mm Service Void.
- Wall Hanging Brackets.
- Soft Close Hinges.
- Bifold Lift Mechanism
- Bifold Joining Hinges

## Fitting Instructions

Fix the wall hanging brackets at the required position, checking for hidden cables first. Hang the cabinet on the brackets and level the unit as required before securing it to the wall. Fix to any adjacent units using the Cabinet Connectors.

## Special Notes

None