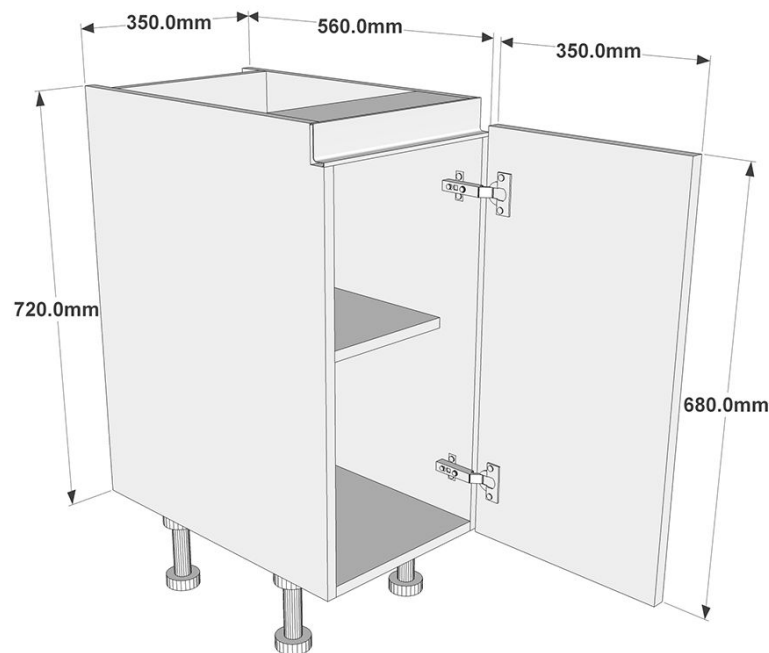


350mm True Handleless Highline Base Unit



Information

True Handleless single door base unit supplied with a 680 x 346mm door in your chosen style and colour. Legs and Soft Close Hinges are included. True Handleless Rail System sold separately.

Cabinet Specification

18mm thick colour matched cabinet (where possible).

47mm Service Void.

150mm Plastic Legs (adjustable from 140-160mm).

Soft Close Hinges Included.

True Handleless Rail System sold separately.

Fitting Instructions

Insert the 150mm Leg piece (found in plastic fittings bag supplied) into each of the sockets on the base of the cabinet. Level the unit as required and securely fix any adjacent units using the Cabinet Connectors and to the wall using the supplied 'L' Brackets and appropriate screws (not supplied).

Special Notes

This Carcase is designed to accept the True Handleless Rail System.